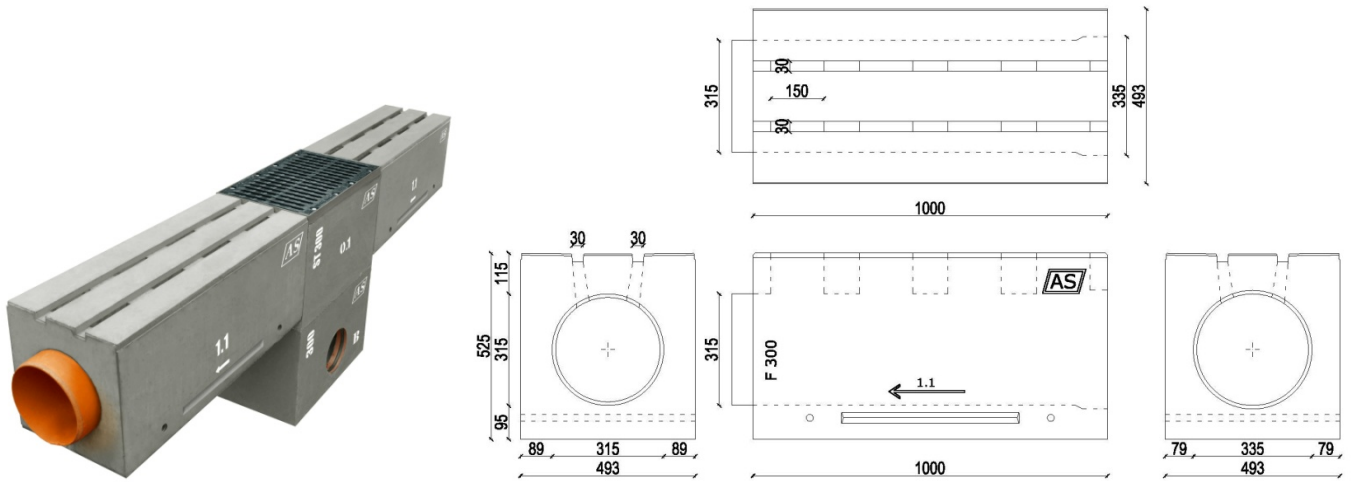




ITEM N

AS- IIS300

CHANNELS OF INTERNAL WIDTH OF 300MM



ITEM N

CHANNELS OF INTERNAL WIDTH OF 300MM

| N.I. | Part No. | Channels AS –IIS300 | Width [mm] | Height [mm] | Length [mm] | Cross section [cm ²] | Inlet area [cm ² /m] | Weight [kg] | Strength class |
|--------|----------|---------------------|---------------|----------------|----------------|-------------------------------------|------------------------------------|----------------|-------------------|
| N.I.1. | 1.1 | with no slope | 493 | 525 | 1000 | 706 | 360 | 431.0 | kl.D 400 – F900kN |
| N.I.2. | | PVC plug fi 315 | | | | | | | |

Multifunctional basin AS-ST300

| N.II. | Part No. | MULTIFUNCTIONAL BASIN | Width [mm] | Height [mm] | Length [mm] | Weight [kg] | Cast iron grates |
|---------|----------|------------------------------|---------------|----------------|----------------|----------------|---------------------|
| N.II.1. | 0.1 | upper part of a basin | 493 | 515 | 675 | 160.0 | kl.D 400 – 28.2 kg |
| N.II.2. | 1.1 | revision element with bottom | 493 | 525 | 675 | 186.0 | kl.F 900 – 49.8 kg |

Basin Elements

| N.III. | Part No. | MULTIFUNCTIONAL BASIN | Width [mm] | Height [mm] | Length [mm] | Weight [kg] |
|----------|----------|--------------------------------|---------------|----------------|----------------|----------------|
| N.III.1. | A | pass-through without outlet | 493 | 480 | 675 | 246.0 |
| N.III.2. | A | pass-through with side outlet | 493 | 480 | 675 | 232.0 |
| N.III.3. | A | pass-through with front outlet | 493 | 480 | 675 | 232.0 |
| N.III.4. | B | with bottom, without outlet | 493 | 690 | 675 | 286.0 |
| N.III.5. | B | with bottom, with side outlet | 493 | 690 | 675 | 270.0 |
| N.III.6. | B | with bottom, with front outlet | 493 | 690 | 675 | 270.0 |
| N.III.7. | - | contamination trap | 280 | 350 | 430 | 8.0 |

PRODUCT CARD

SLOT MONOLITH DRAINAGE CHANNEL

AS-IIS300

CE designation- Standard PN-EN 1433:2005

Declaration of Conformity

Hygienic Certificate HK/B/0438/01/2016

Catalogue No N.I.

1. Intended use – place of application

Applies in areas such as : warehouses, roads, streets, car parks, entries, petrol stations, maneuvering areas, car washes, and areas exposed to very strong loads like airports, docks, military bases etc.

2. Technological capabilities

- parts with no internal slope,
- possibility to connect parts at some angle by means of the wells multifunctional ST-300,
- draining water by means of the wells multifunctional ST-300, revision performance with the use of the wells multifunctional ST-300,
- basins with thrash boxes,
- blanking off covers.

3. Technical information

Dimensions:

- length: 1000 mm
- external width: 493 mm
- inner diameter: 300 mm
- height: 525 mm

TYPE I DRAINAGE - are made from reinforced concrete and do not require side concreting, only a footing. Drainage channels are made from by polymer-cement concrete of C55/67 strength class. The material used in the components has been reinforced with alkali resistant fiberglass, which significantly improves channel performance in terms of bending and impact strength.

Concrete is characterized by high resistance to long-term frost exposure and defrosting salts ("R") and resistance to oil derivatives according to PN-EN 858-1:2005.

The interior of the cavity channel is made from PVC, characterized by high mechanical strength and a number of advantages, such as:

High chemical resistance - perfect hydraulic conditions due to smooth surface Assembly does not require additional joint sealing Socket connection with rubber sealing

Setting the channels - on a concrete strip footing.

Connecting channels – applying frost and water resistant mortars.

4. Quality, workmanship precision and others

This very simple and safe to install and apply product, entirely fabricated of Polish materials by a domestic company is of very high quality.

The top product quality is assured by AS PPH A. Sobiesiak due to applying "High Strength Concrete" and materials protected permanently against corrosion.

The guarantee of the top quality is the ISO 9001:2008 certificate, too.

5. Safety

Using AS drainage systems does not pose any risk to safety during assembly works. General regulations of occupational safety and health for construction and installation works should be observed.

Drainage performed with the use of AS system, while observing project-related guidelines and assembly instructions, will help avoid onerous breakdowns and construction degradation. As far as conservation is concerned, it comes down to cleaning channels once a year with the use of inspection chambers.