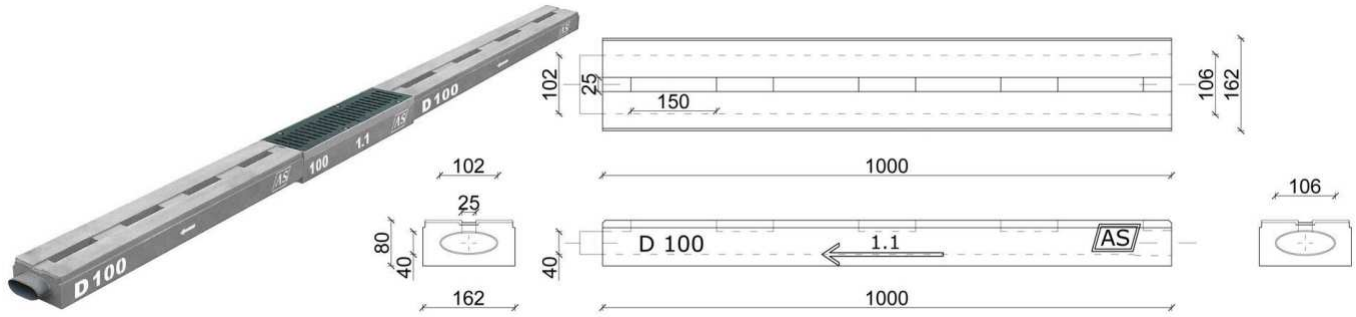




ITEM I

CHANNELS OF INTERNAL WIDTH OF 100MM



ITEM I

CHANNELS OF INTERNAL WIDTH OF 100MM

I.I.	Part No.	Channels AS-A-S100	Width [mm]	Height [mm]	Length [mm]	Cross section [cm ²]	Inlet area [cm ² /m]	Weight [kg]	Strength
I.I.1.	1.1	without slope	162	80	1000	32	150	23.0	kl.B 125 – D400kN
I.I.2.		blind cover plate							

Basin Elements

I.II.	Part No.	MULTIFUNCTIONAL BASIN	Width [mm]	Height [mm]	Length [mm]	Weight [kg]	Cast iron grates
I.II.1	1.1	inspection unit with bottom	162	350	675	48.0	
I.II.2	1.2	inspection unit with bottom	162	120	675	18.0	
I.II.3	1.3	inspection unit with bottom	162	100	675	16.0	kl.B 125 – 3.8 kg
I.II.4	0.1	gully without bottom	162	350	675	40.0	kl.C 250 – 4.4 kg
I.II.5	0.2	gully without bottom	162	120	675	14.0	kl.D 400 – 5.0 kg
I.II.6	0.3	gully without bottom	162	100	675	12.0	
I.II.7	-	cleanout	98	70	610	1.5	

PRODUCT CARD

SLOT MONOLITH DRAINAGE

CHANNEL AS-A-S100

CE designation- Standard PN-EN 1433:2005
Declaration of Conformity
Hygienic Certificate HK/B/0438/01/2016
Catalogue No I.I.

1. Intended use – place of application

Drying of the parking spaces which are located mainly on the ceilings (office buildings with underground garages, storey garages, car parks, terraces etc.)

2. Technological capabilities

- parts with no internal slope,
- possibility to connect parts at some angle by means of multifunctional basin,
- draining water by means of multifunctional basin cleaning with the use of manholes,
- blanking off covers.

3. Technical information

Dimensions:

length: 1000 mm
external width: 162 mm
internal width: 90, 102 mm
height: 80 mm

Monolithic channel body - 'type I' are made of reinforced concrete and do not require lateral bracing - just a foundation base.

Is made of concrete in the C55/67 strength class with polymer additives and reinforced with alkali – resistant glass fibre.

Concrete is characterized by high resistance to long-term frost exposure and defrosting salts (“+R”) and resistance to oil derivatives according to PN-EN 858-1:2005.

The inner part of a channel is covered with PVC layer which has many advantages:

- chemical resistance
- smooth inner surface

Setting the channels - should be performed on a concrete footing in accordance with the information in the catalog.

4. Quality, workmanship precision, and others

This very simple and safe to install and apply product, entirely fabricated of Polish materials by a domestic company is of very high quality.

The top product quality is assured by AS PPH A. Sobiesiak due to applying "High Strength Concrete" and materials protected permanently against corrosion.

The guarantee of the top quality is the ISO 9001:2008 certificate.

5. Safety

Using AS drainage systems does not pose any risk to safety during assembly works. General regulations of occupational safety and health for construction and installation works should be observed

Drainage performed with the use of AS system, while observing project-related guidelines and assembly instructions, will help avoid onerous breakdowns and construction degradation. As far as conservation is concerned, it comes down to cleaning channels once a year with the use of inspection chambers.

REALIZATION

